



USB-C UNIVERSAL DOCKING STATION

DA080



Display



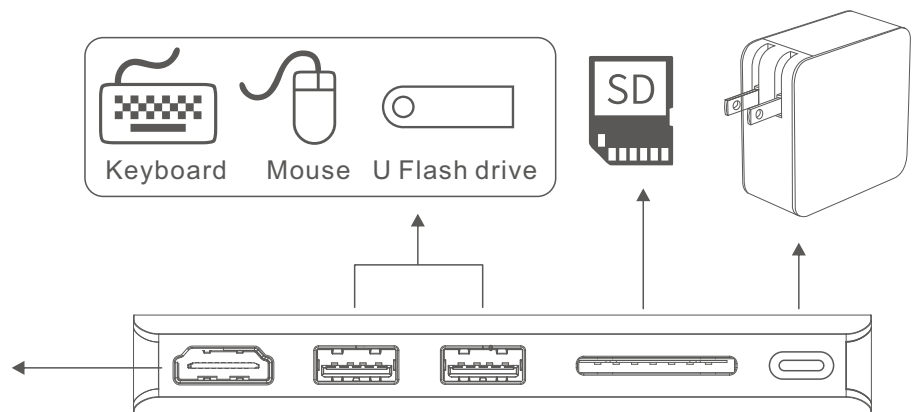
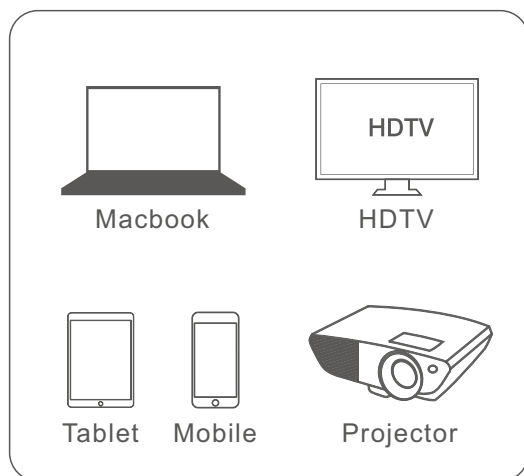
Network



Charge

TECHNICAL SPECIFICATIONS

- Power supply: Bus-Powered and self-powered (via USB-C port)
- Video output: HDMI (female) x 1 VGA (female) x 1
- Input: USB-C (male) x 1
- Downstream output port: USB 3.0 (female) x 2, USB-C (female) x 1, RJ45 x 1, SD x 1, Aux x 1
- Cable length: 160mm (approx.)



www.astrumworld.com

©2010 ASTRUM HOLDINGS LIMITED. Astrum is a registered trademark of Astrum Holdings Limited, Hong Kong. All Rights Reserved. All other trademarks are the property of their respective owners. All specifications and photos are for reference purposes only.